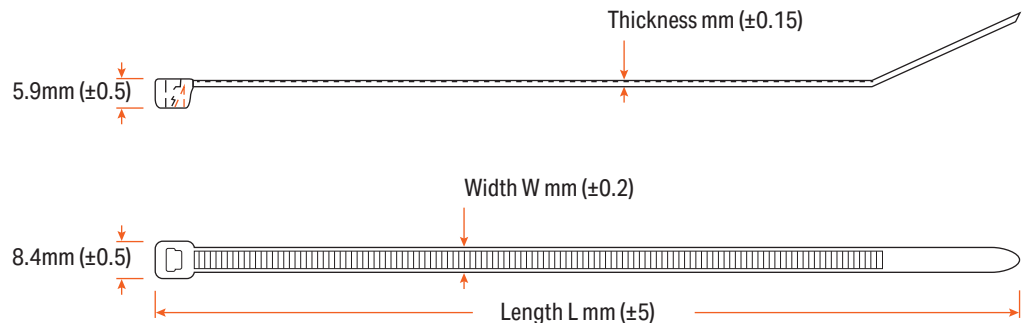
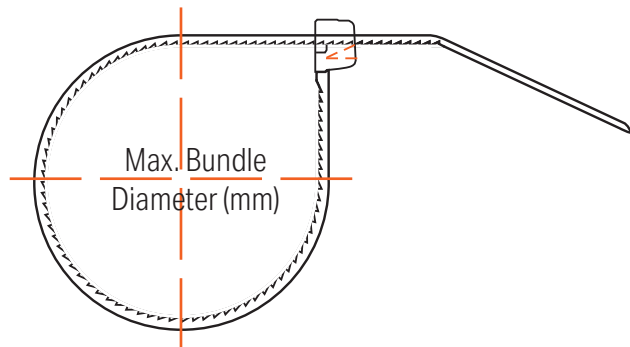


# Coloured Cable Ties

## Standard Range

- **Material:** UL approved Nylon 66, 94V-2.
- **Feature:** High tensile strength with low insertion force. Excellent resistance to weathering and ageing. Suitable for a multitude of uses in various industries.
- **Application:** Self-locking for fast and easy application.
- **Operating Temperature:** -40°C to +85°C.



# Coloured Cable Ties

## Standard Range

Item No.	Colour	Width W (mm)	Thickness (mm)	Length L (mm)	Max. Bundle Diameter (mm)	Min. Tensile Strength (kg)
TR5-BLUE	Blue	4.8	1.35	203	52	22
TR5-BROWN	Brown	4.8	1.35	203	52	22
TR5-GREEN	Green	4.8	1.35	203	52	22
TR5-ORANGE	Orange	4.8	1.35	203	52	22
TR5-PURPLE	Purple	4.8	1.35	203	52	22
TR5-RED	Red	4.8	1.35	203	52	22
TR5-SILVER	Silver	4.8	1.35	203	52	22
TR5-YELLOW	Yellow	4.8	1.35	203	52	22
TR8-BLUE	Blue	4.8	1.5	300	83	22
TR8-BROWN	Brown	4.8	1.5	300	83	22
TR8-GREEN	Green	4.8	1.5	300	83	22
TR8-ORANGE	Orange	4.8	1.5	300	83	22
TR8-PURPLE	Purple	4.8	1.5	300	83	22
TR8-RED	Red	4.8	1.5	300	83	22
TR8-SILVER	Silver	4.8	1.5	300	83	22
TR8-YELLOW	Yellow	4.8	1.5	300	83	22
TR10-BLUE	Blue	4.8	1.5	368	105	22
TR10-BROWN	Brown	4.8	1.5	368	105	22
TR10-GREEN	Green	4.8	1.5	368	105	22
TR10-ORANGE	Orange	4.8	1.5	368	105	22
TR10-PURPLE	Purple	4.8	1.5	368	105	22
TR10-RED	Red	4.8	1.5	368	105	22
TR10-SILVER	Silver	4.8	1.5	368	105	22
TR10-YELLOW	Yellow	4.8	1.5	368	105	22

### STORAGE AND USAGE OF NYLON CABLE TIES

BEAL UK cable ties are made from high quality Nylon 66 resin. Moisture absorption is an essential factor for this material to retain its strength and maintain optimal performance. To this end, it is important for the cable ties to be kept in a sealed package wherever possible.

Below are some helpful storage suggestions:

1. The ideal storage temperature is around 23°C with the humidity over 50%.
2. Do not open the bag before use. Please try to finish the whole package of cable ties shortly after opening or reseal the bag until you are ready to use again.
3. Do not expose directly under sunlight (except UV weather resistant cable ties).
4. Avoid storing cable ties close to warm objects (such as heaters).